

smartglass

55 Southeast 2nd Avenue, Suite 211
Delray Beach, Florida 33444

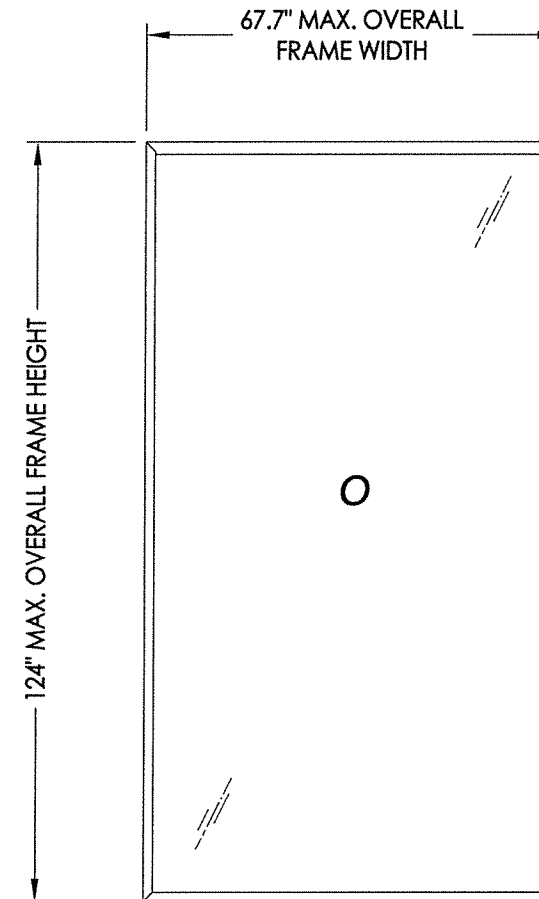
"KELLER minimal windows"

Insulated Fixed Window "IMPACT"

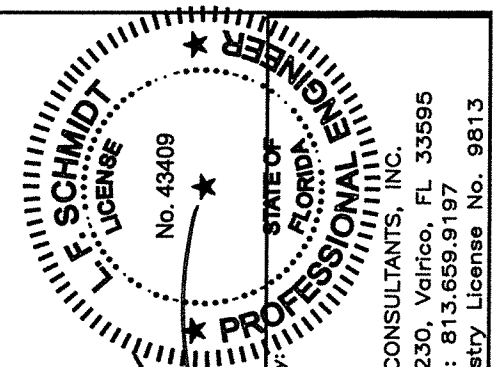
GENERAL NOTES

1. This product has been evaluated and is in compliance with the 6th Edition (2017) Florida Building Code (FBC) structural requirements including the "High Velocity Hurricane Zone" (HVHZ).
2. Product anchors shall be as listed and spaced as shown on details. Anchor embedment to base material shall be beyond wall dressing or stucco.
3. When used in the "HVHZ" this product complies with Section 1626 of the Florida Building Code and does not require an impact resistant covering.
4. When used in areas outside of the "HVHZ" requiring wind borne debris protection this product complies with FBC Sections 1609.1.2 & R301.2.1.2 and does not require an impact resistant covering. This product meets missile level "D" and includes Wind Zone 4 as defined in ASTM E 1996 and FBC Sections 1609.1.2.2 & R301.2.1.2.1.
5. For 2x stud framing construction, anchoring of these units shall be the same as that shown for 2x buck masonry construction.
6. Site conditions that deviate from the details of this drawing require further engineering analysis by a licensed engineer or registered architect.
7. This product meets water infiltration requirements for "HVHZ".
8. Gaskets and setting blocks shall comply with FBC Section 2411.3.4.
9. Aluminum components, including fasteners, shall meet the requirements of FBC Section 2003.

TABLE OF CONTENTS	
SHEET#	DESCRIPTION
1	Typical elevations, design pressures and general notes
2	Horizontal cross sections
3	Vertical cross sections
4	Buck anchoring
5	Frame anchoring
6	Components
7	Bill of materials & glazing details



OVERALL FRAME DIMENSION	OVERALL D.L.O. DIMENSION	GLASS TYPE	DESIGN PRESSURE (PSF)	
			POSITIVE	NEGATIVE
67.7" X 124"	64.7" X 120.5"	G1	+60.0	-60.0



Documents Prepared By:
Lyndon F. Schmidt
P.E. No. 43409

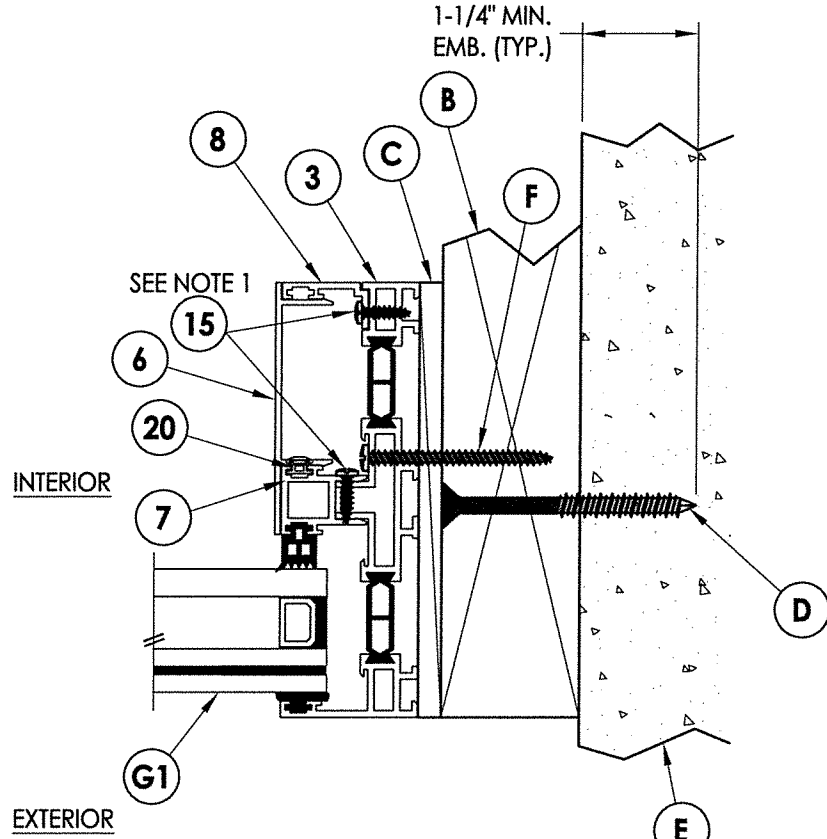
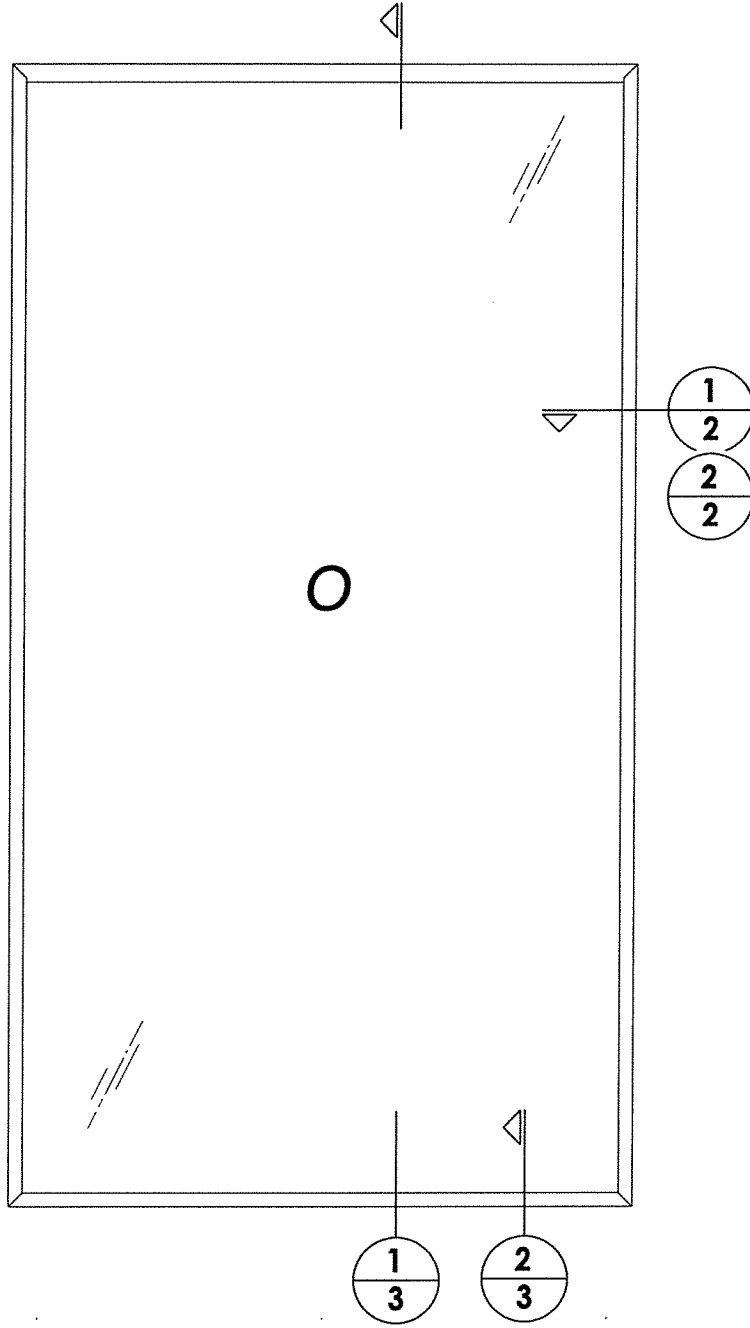
RW BUILDING CONSULTANTS, INC.
P.O. Box 230, Vairco, FL 33595
Phone No.: 813.659.9197
FBPE Registry License No. 9813

PRODUCT: SMARTGLASS

PART OR ASSEMBLY:
TYPICAL ELEVATION, DESIGN PRESSURES & GENERAL NOTES

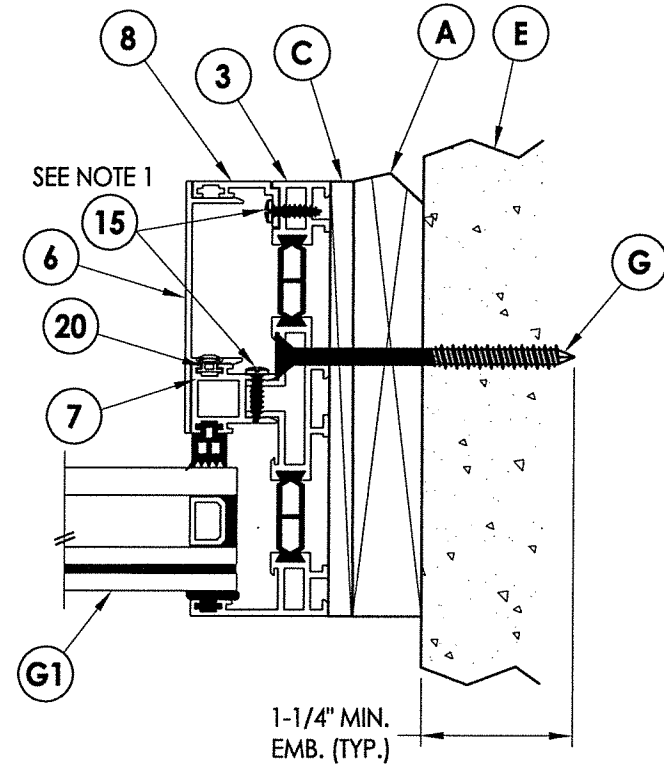
NO.	DATE	BY	REVISIONS

DATE: 9/26/19
SCALE: N.T.S.
DWG. BY: TRJ
CHK. BY: LFS
DRAWING NO.: FL-30470.1
SHEET 1 OF 7

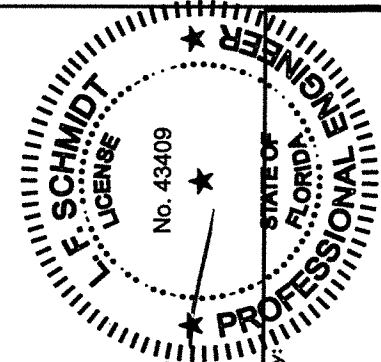


1 HORIZONTAL CROSS SECTION
2 2X BUCK CONSTRUCTION

NOTE:
 1. Spacing for Item 15: 3" from ends & 8" oc. max. thereafter.



2 HORIZONTAL CROSS SECTION
2 SHOWN w/ 1X SUB BUCK OPTION



LFS
 10.2.19

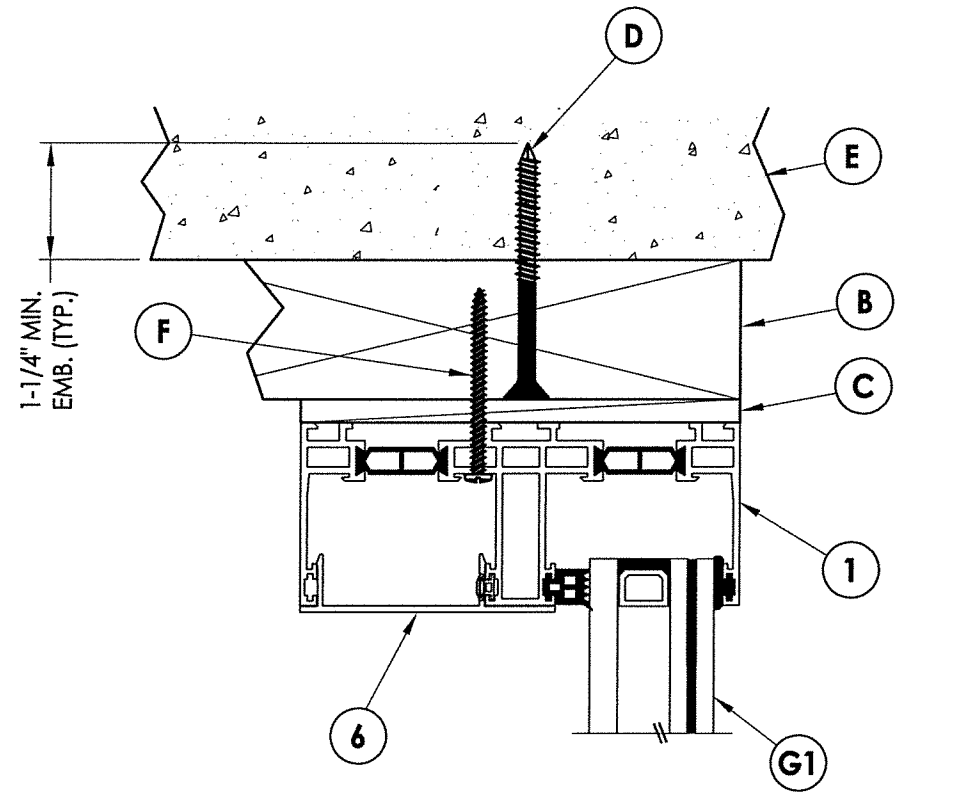
Documents Prepared By:
 Lyndon F. Schmidt
 P.E. No. 43409

R.W. BUILDING CONSULTANTS, INC.
 P.O. Box 230, Valrico, FL 33595
 Phone No.: 813.659.9197
 FBPE Registry License No. 9813

PRODUCT: SMARTGLASS
 PART OR ASSEMBLY: HORIZONTAL CROSS SECTIONS

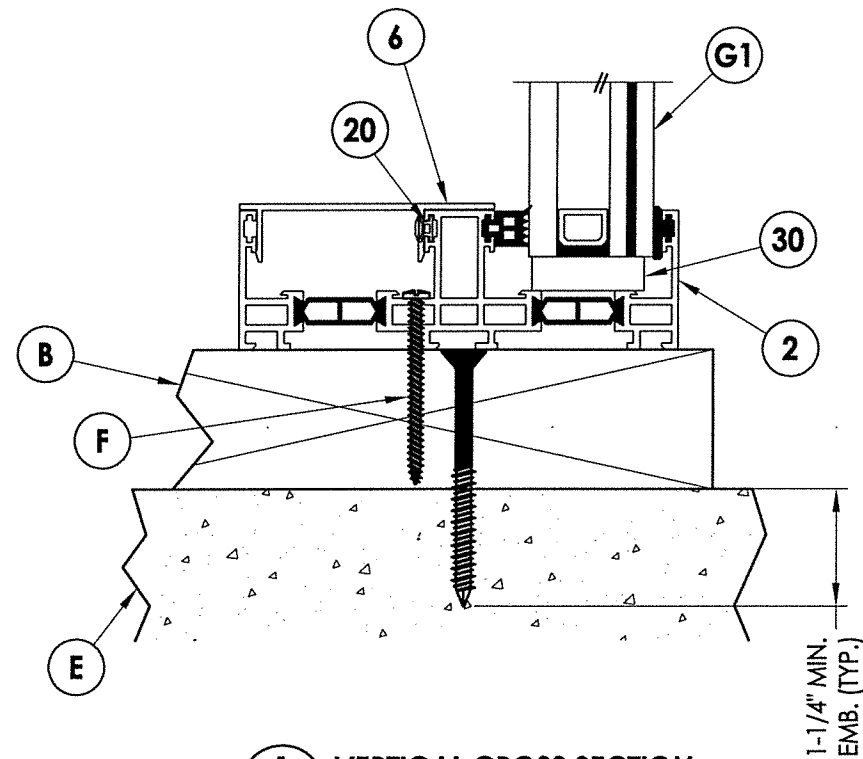
REVISIONS	
NO.	DATE

DATE: 9/26/19
 SCALE: N.T.S.
 DWG. BY: TRJ
 CHK. BY: LFS
 DRAWING NO.: FL-30470.1
 SHEET 2 OF 7

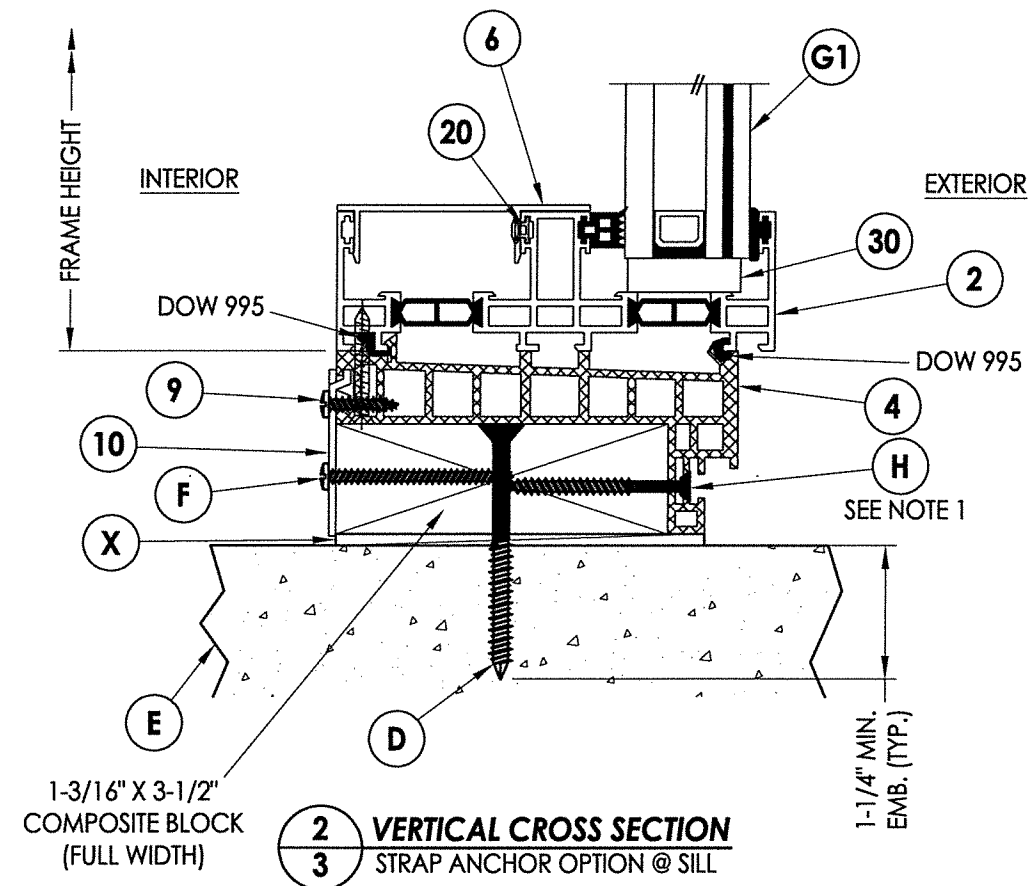


INTERIOR

EXTERIOR



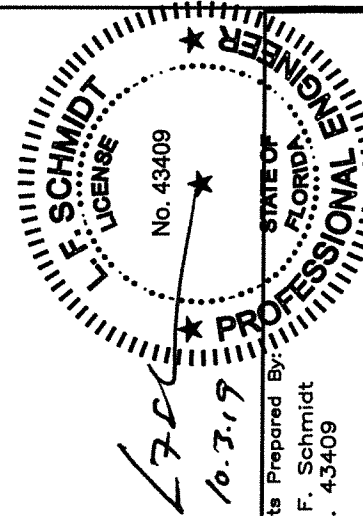
1 VERTICAL CROSS SECTION
3 2X BUCK CONSTRUCTION



2 VERTICAL CROSS SECTION
3 STRAP ANCHOR OPTION @ SILL

NOTE:

1. Spacing for Item H: 6" from ends & 12" oc. max. thereafter.



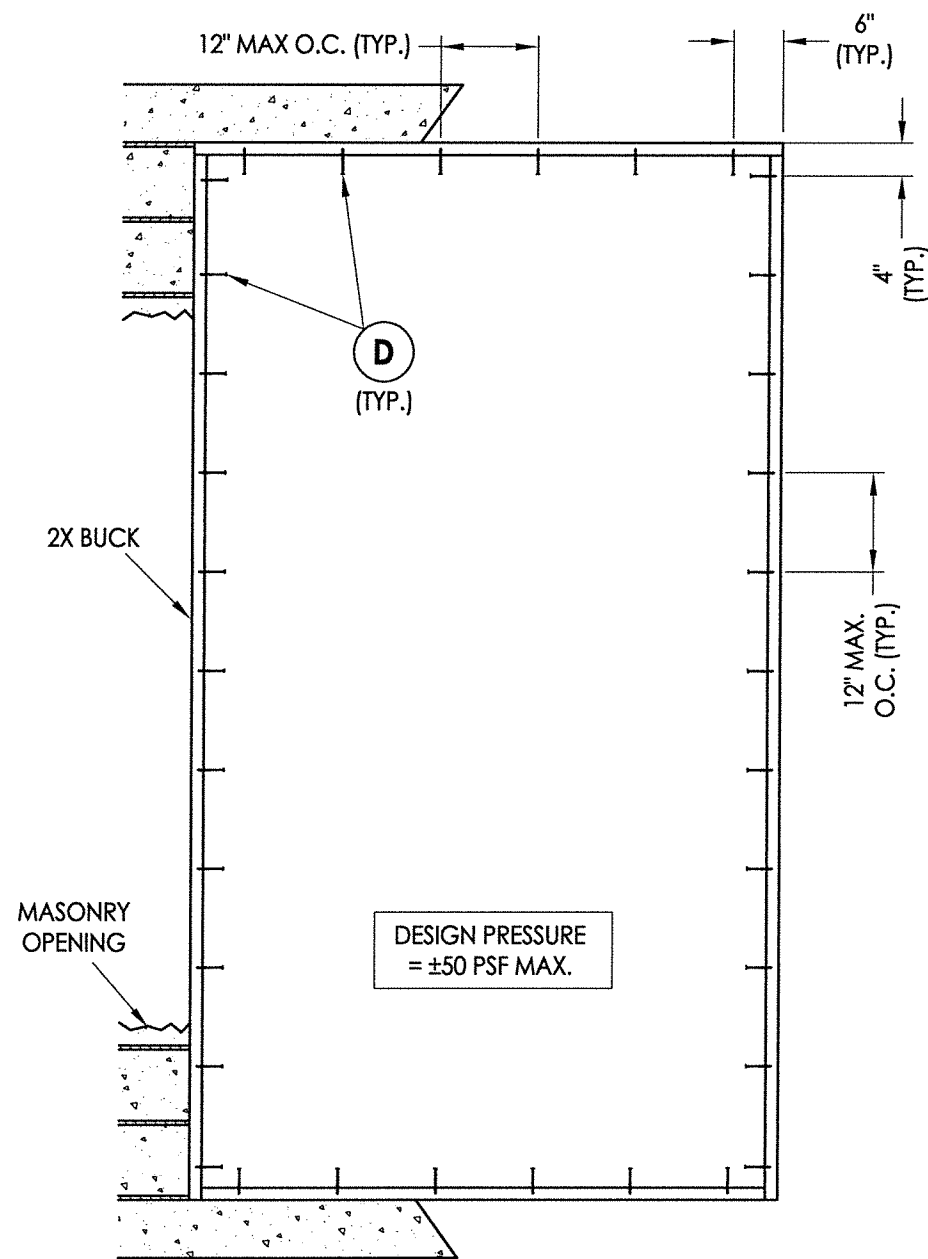
Documents Prepared By:
Lyndon F. Schmidt
P.E. No. 43409

RW BUILDING CONSULTANTS, INC.
P.O. Box 230, Valrico, FL 33595
Phone No.: 813.659.9197
FBPE Registry License No. 9813

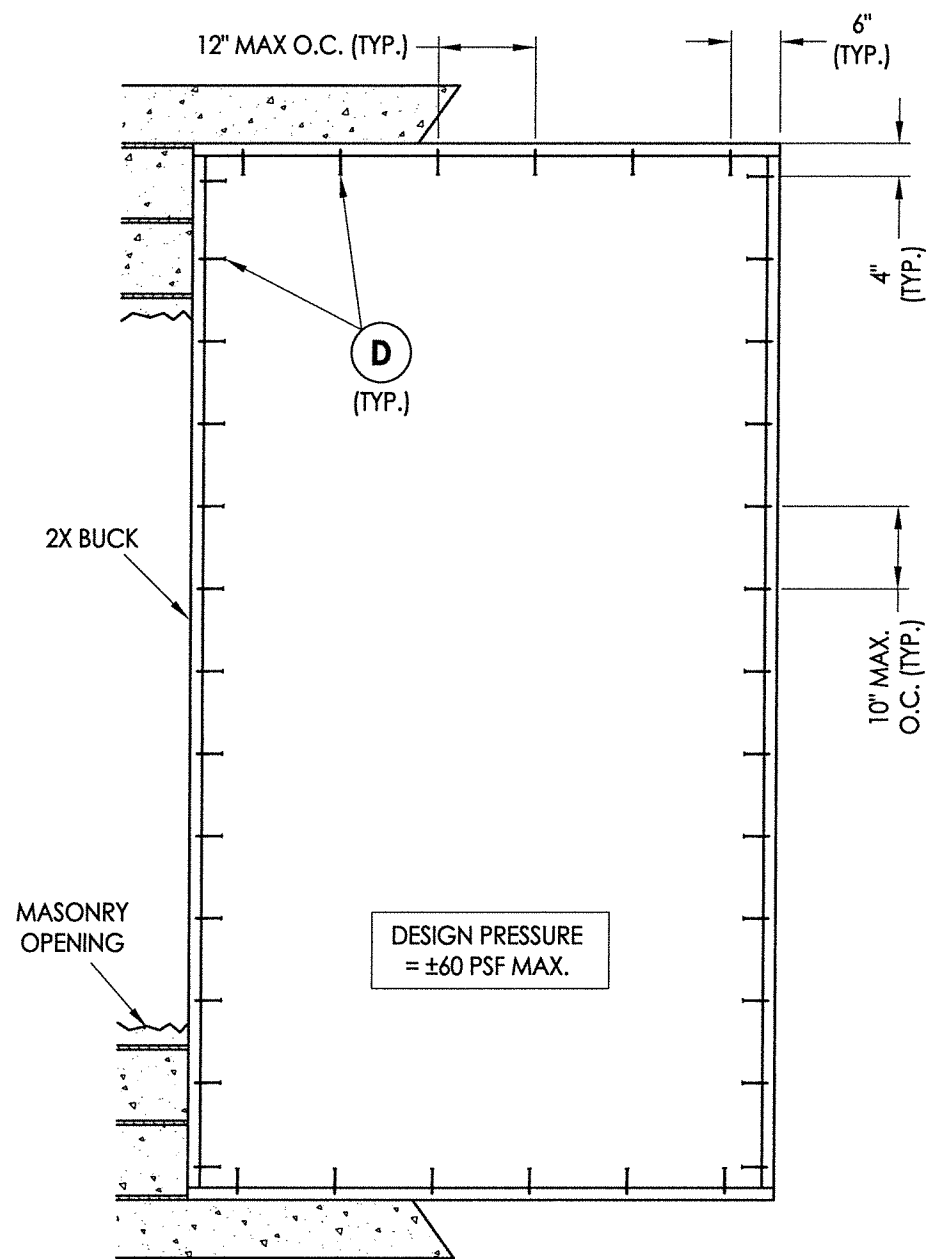
PRODUCT:	SMARTGLASS
PART OR ASSEMBLY:	VERTICAL CROSS SECTIONS

NO.	DATE	BY	REVISIONS

DATE:	9/26/19
SCALE:	N.T.S.
DWG. BY:	TRJ
CHK. BY:	LFS
DRAWING NO.:	FL-30470.1
SHEET	3 OF 7



2X BUCK ANCHORING



2X BUCK ANCHORING

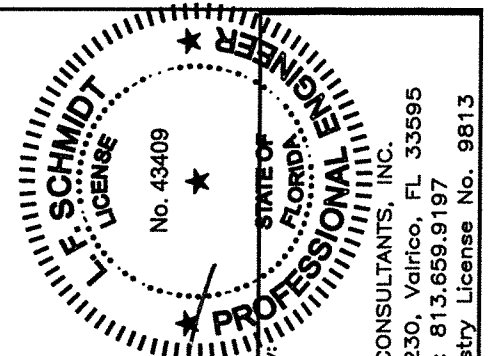
CONCRETE ANCHOR NOTES:

1. Concrete anchor locations at the corners may be adjusted to maintain the min. edge distance to mortar joints.
2. Concrete anchor locations noted as "MAX. ON CENTER" must be adjusted to maintain the min. edge distance to mortar joints, additional concrete anchors may be required to ensure the "MAX. ON CENTER" dimension are not exceeded.
3. Concrete anchor table:

ANCHOR TYPE	ANCHOR SIZE	MIN. EMBEDMENT	MIN. CLEARANCE TO MASONRY EDGE	MIN. CLEARANCE TO ADJACENT ANCHOR
ITW TAPCON®	1/4"	1-1/4"	2"	4"
ELCO ULTRACON®	1/4"	1-1/4"	2-1/2"	4"

WOOD SCREW INSTALLATION NOTES:

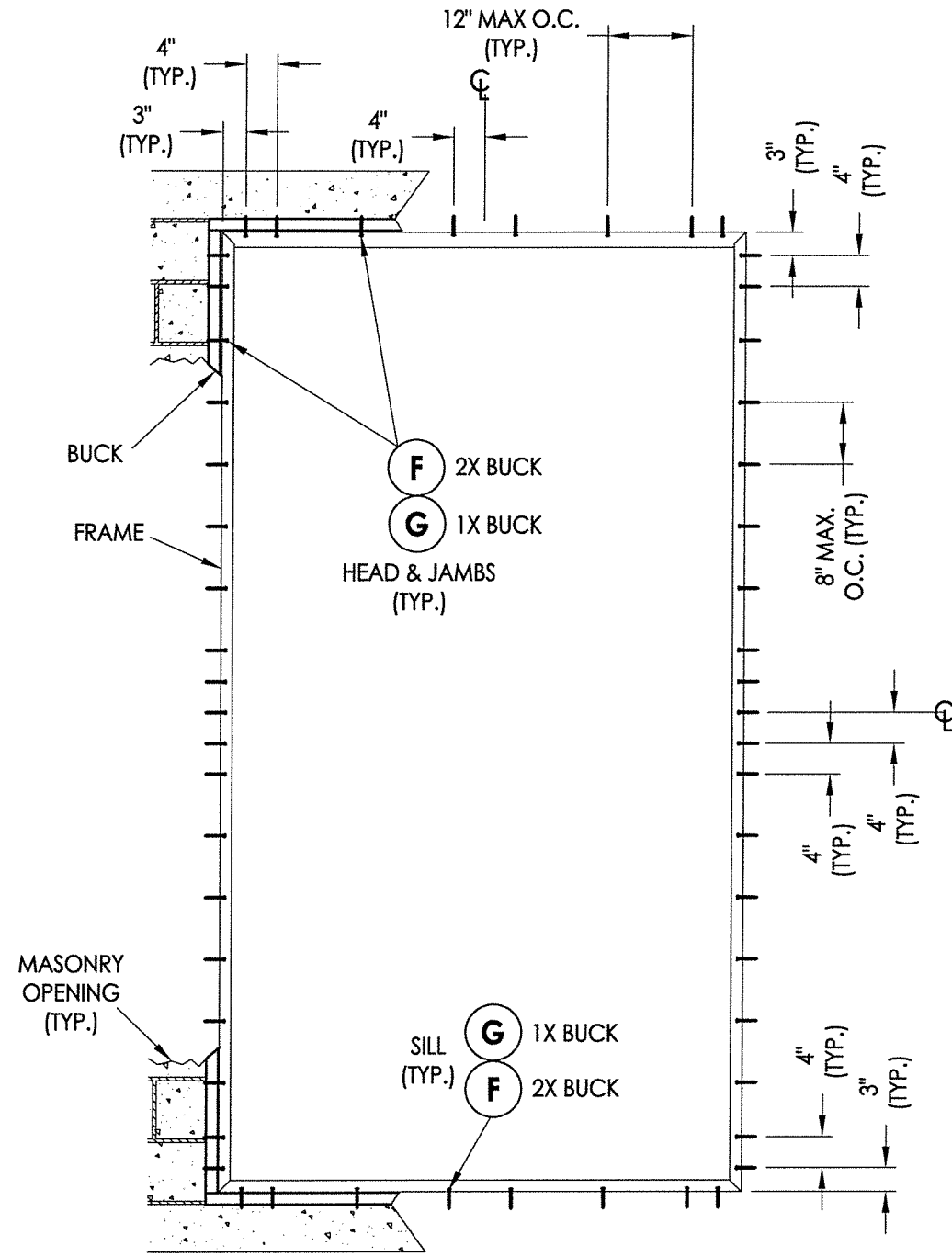
1. Maintain a minimum 5/8" edge distance, 1" end distance, & 1" o.c. spacing of wood screws to prevent the splitting of wood.



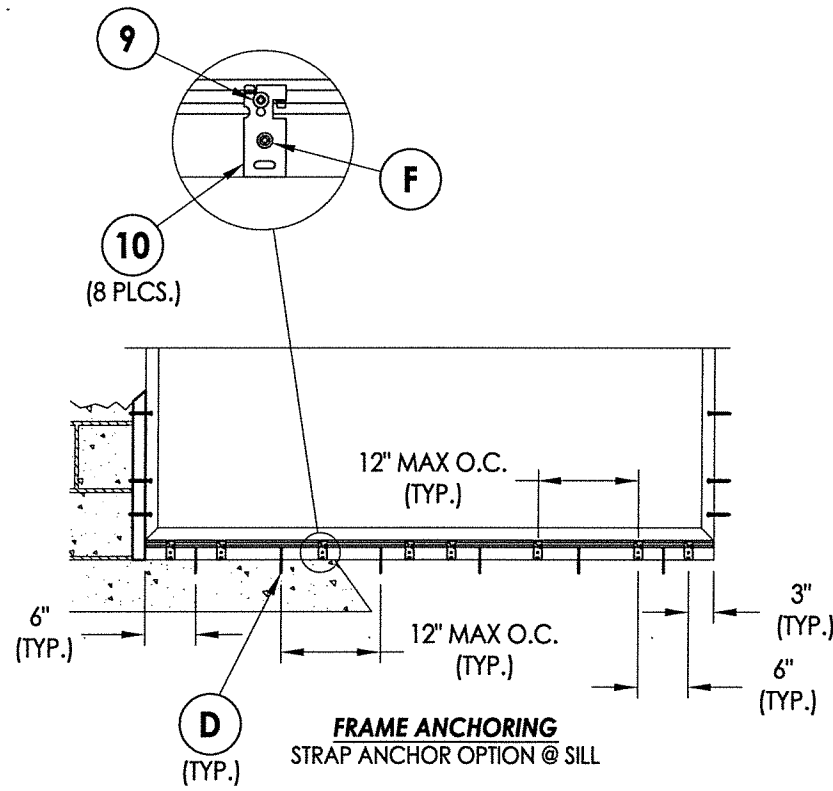
Documents Prepared By:
Lyndon F. Schmidt
P.E. No. 43409

RW BUILDING CONSULTANTS, INC.
P.O. Box 230, Vairico, FL 33595
Phone No.: 813.659.9197
FBPE Registry License No. 9813

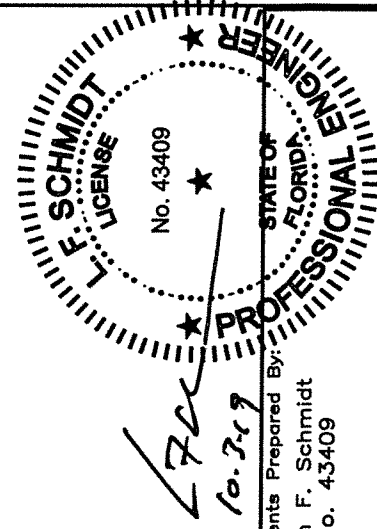
PRODUCT:	SMARTGLASS	
PART OR ASSEMBLY:	BUCK ANCHORING	
NO.	DATE	BY
REVISIONS		
DATE: 9/26/19		
SCALE: N.T.S.		
DWG. BY: TRJ		
CHK. BY: LFS		
DRAWING NO.: FL-30470.1		
SHEET 4 OF 7		



**FRAME ANCHORING
THROUGH-THE-FRAME**



**FRAME ANCHORING
STRAP ANCHOR OPTION @ SILL**



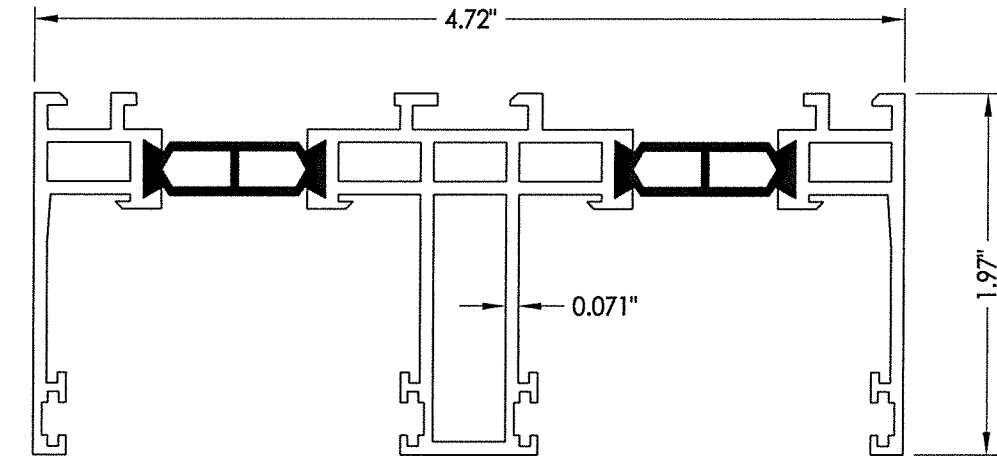
Documents Prepared By:
Lyndon F. Schmidt
P.E. No. 43409

RW BUILDING CONSULTANTS, INC.
P.O. Box 230, Valrico, FL 33595
Phone No.: 813.659.9197
FBPE Registry License No. 9813

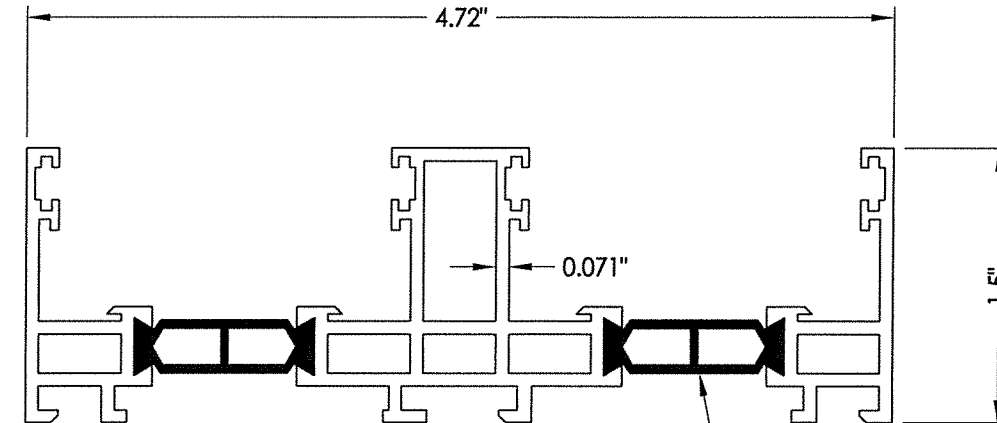
PRODUCT:	SMARTGLASS
PART OR ASSEMBLY:	FRAME ANCHORING

NO.	DATE	BY

DATE:	9/26/19
SCALE:	N.T.S.
DWG. BY:	TRJ
CHK. BY:	LFS
DRAWING NO.:	FL-30470.1
SHEET	5 OF 7

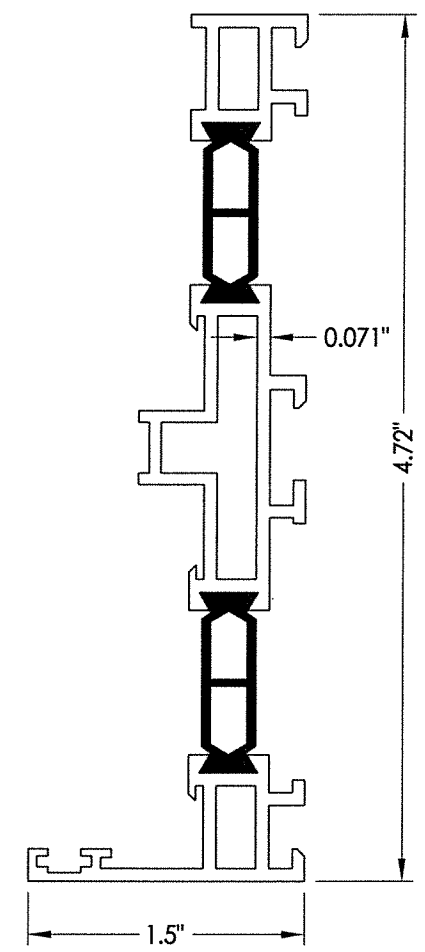


1 HEAD TRACK

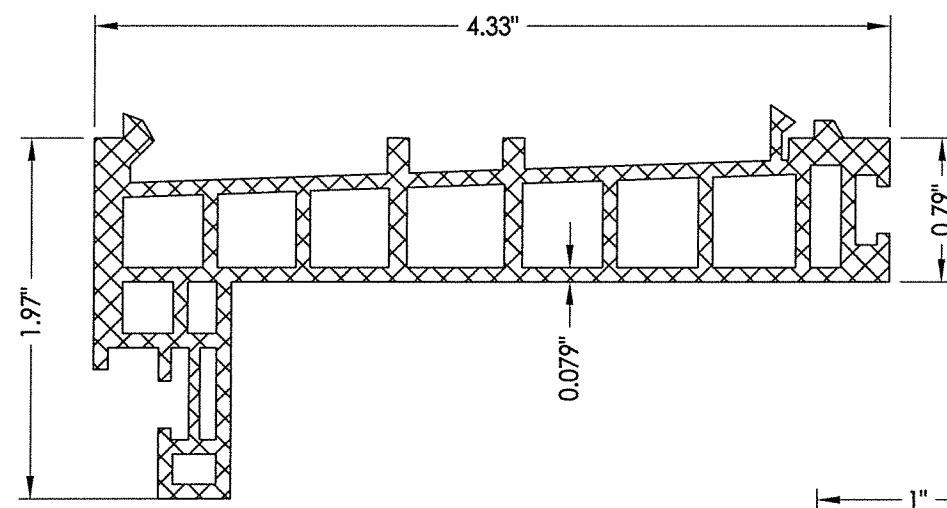


2 SILL TRACK

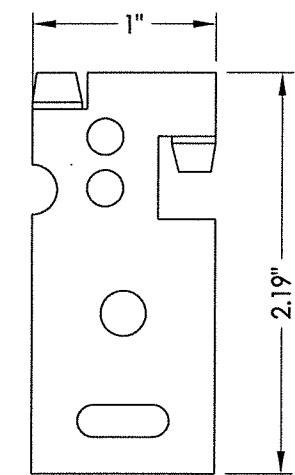
5 (TYP.)



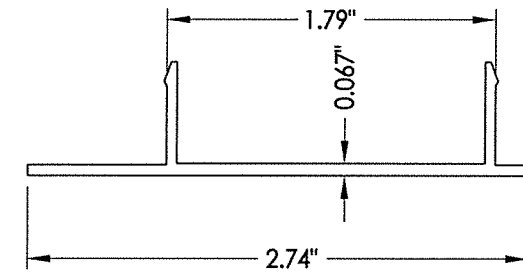
3 JAMB



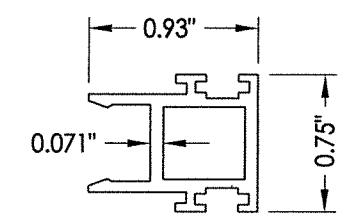
4 BOTTOM FLANGE



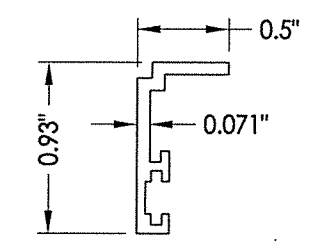
10 ANCHOR CLIP
14GA. (0.078" THICK)



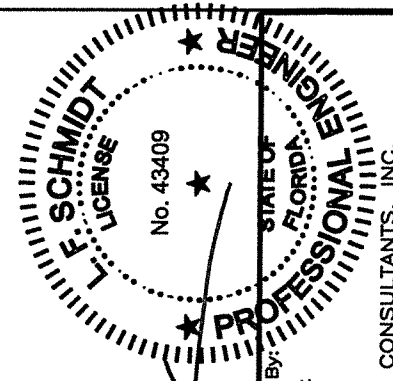
6 FRAME CAP



7 GLASS STOP (1-3/8")



8 FRAME STOP



LFS
10.3.19

Documents Prepared By:
Lyndon F. Schmidt
P.E. No. 43409

RW BUILDING CONSULTANTS, INC.
P.O. Box 230, Valrico, FL 33595
Phone No.: 813.659.9197
FBPE Registry License No. 9813

PRODUCT:		SMARTGLASS	
PART OR ASSEMBLY:		COMPONENTS	
NO.	DATE	BY	
		REVISIONS	
DATE: 9/26/19			
SCALE: N.T.S.			
DWG. BY: TRJ			
CHK. BY: LFS			
DRAWING NO.: FL-30470.1			
SHEET 6 OF 7			

